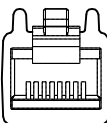

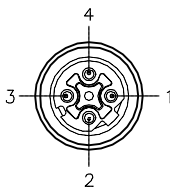
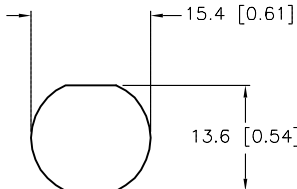
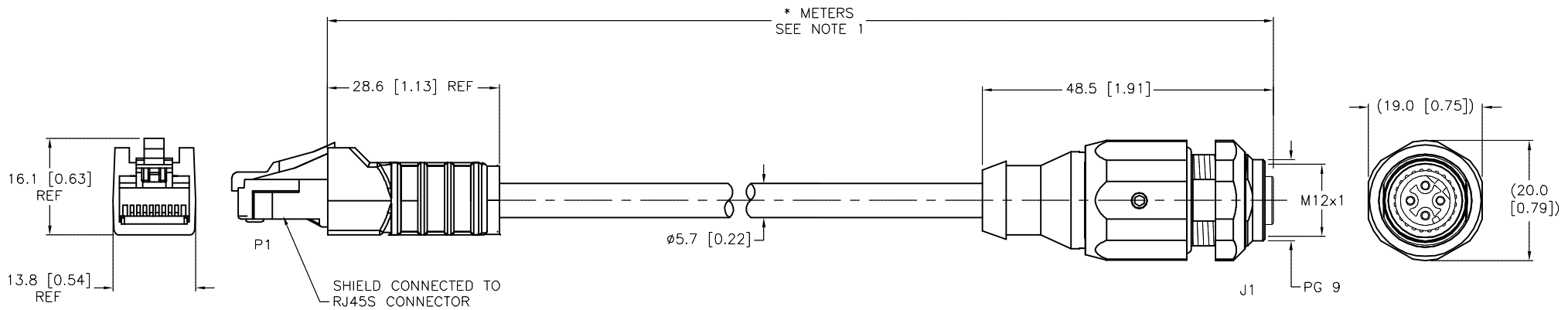


| RJ45S END VIEW  | FEMALE END VIEW   | MOUNTING HOLE   | SPECIFICATIONS                      |                                    |
|---|---|---|-------------------------------------|------------------------------------|
|  <p>12345678</p> <p>1 = WHITE/ORANGE (+TX)<br/>2 = ORANGE (-TX)<br/>3 = WHITE/GREEN (+RX)<br/>4 = N/C<br/>5 = N/C<br/>6 = GREEN (-RX)<br/>7 = N/C<br/>8 = N/C</p> <p><i>Ethernet</i>  <i>Ethernet</i></p> |  <p>1 = WHITE/ORANGE (+TX)<br/>2 = WHITE/GREEN (+RX)<br/>3 = ORANGE (-TX)<br/>4 = GREEN (-RX)</p> |  <p>15.4 [0.61]<br/>13.6 [0.54]</p> | CONTACT CARRIER MATERIAL/COLOR (P1) | POLYCARBONATE/CLEAR                |
|   |   |   | MOLDED HEAD MATERIAL/COLOR (P1)     | TPU/BLACK                          |
|   |   |   | CONTACT MATERIAL/PLATING (P1)       | BRONZE/GOLD                        |
|   |   |   | CONTACT CARRIER MATERIAL/COLOR (J1) | TPU/BLACK                          |
|   |   |   | MOLDED HEAD MATERIAL/COLOR (J1)     | TPU/BLUE-GRAY                      |
|   |   |   | CONTACT MATERIAL/PLATING (J1)       | BRASS/GOLD                         |
|   |   |   | COUPLING NUT MATERIAL/PLATING (J1)  | BRASS/NICKEL                       |
|   |   |   | RATED CURRENT [A]                   | 1.5 A                              |
|   |   |   | RATED VOLTAGE [V]                   | 42 V                               |
|   |   |   | OUTER CABLE JACKET MATERIAL/COLOR   | TPU/TEAL (HALOGEN FREE)            |
|   |   |   | CONDUCTOR INSULATION MATERIAL       | HDPE                               |
|   |   |   | NUMBER OF CONDUCTORS [AWG]          | 4x26 AWG, STRANDED, CAT 5e         |
|   |   |   | SHIELDING                           | ALUM.-POLYESTER FOIL & T-C BRAIDED |
|   |   |   | TEMPERATURE RANGE                   | -20°C to +75°C (-4°F to +167°F)    |
|   |   |   | PROTECTION CLASS                    | MEETS IEC IP67 (RJ45/IP20)         |
|   |   |   | MAX. PANEL THICKNESS                | 5.5mm [0.216"]                     |



| CABLE LENGTH | TOLERANCE*  |
|--------------|---|
| ALL LENGTHS  | + 4% (OR 50mm) OF LENGTH<br>- 0% (OR 0mm) OF LENGTH<br>WHICHEVER IS GREATER |
| STRIP LENGTH | TOLERANCE*  |
| 0-7mm        | ±0.5mm  |
| 8-29mm       | ±1.0mm  |
| 30-49mm      | ±2.0mm  |
| 50-69mm      | ±3.0mm  |
| 70-100mm     | ±4.0mm  |
| OVER 100mm   | ±5.0mm  |

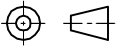
\* UNLESS OTHERWISE SPECIFIED

NOTES:

1. "\*" INDICATES CABLE LENGTH IN METERS. CONTACT TURCK TO ORDER SPECIFIC LENGTHS.

2. "/S3126" DESIGNATES RJ45 CONNECTOR MOLDED USING OLD STYLE RJ45 PLUG BODY. (CM29)

SOURCE DRAWING - FOR REFERENCE ONLY

|                   |  |   |   |  |       |  |   |          |
|-------------------|--|---|---|--|-------|--|---|----------|
| RELATED DOCUMENTS |  | 3RD ANGLE PROJECTION  |   | THIS DRAWING IS CONFIDENTIAL AND THE PROPERTY OF TURCK INC. USE OF THIS DOCUMENT WITHOUT WRITTEN PERMISSION IS PROHIBITED. |       | <b>TURCK INC</b><br>High Technology Sensors and Automation Controls<br>3000 CAMPUS DRIVE<br>MINNEAPOLIS, MN 55441<br>1-800-544-7769<br>(763) 553-7300<br>(763) 553-0708 fax<br>turck.com |   |          |
| 1.                |  |  | DRFT  | RDS  | DATE  | 10/06/11   | DESCRIPTION<br>RJ45S FKSDED 4410-*M/S3126 |          |
| 2.                |  |   | APVD  | A.A.   | SCALE | 1=1.0  |   |          |
| 3.                |  | ALL DIMENSIONS DISPLAYED ON THIS DRAWING ARE FOR REFERENCE ONLY                       | UNIT OF MEASUREMENT<br><b>MILLIMETER [ INCH ]</b> |  |       |  | IDENTIFICATION NO.                        | REV<br>B |
| 4.                |  |   | CONTACT TURCK FOR MORE INFORMATION                |  |       |  |   |          |
| MATERIAL          |  | DO NOT SCALE THIS DRAWING   |   | FILE: 777028168  |       | SHEET 1 OF 1   |   |          |

|     |                    |     |          |         |
|-----|--------------------|-----|----------|---------|
| B   | UPDATE CABLE SPECS | RDS | 06/18/13 | 42158   |
| REV | DESCRIPTION        | BY  | DATE     | ECO NO. |